

PARTS LIST

[CH-X400]
[CH-X450]

* All printed circuit boards and its assemblies are not available as service parts.

Areas suffix	
CH-X400	
E -----	Continental Europe
J -----	Northern America

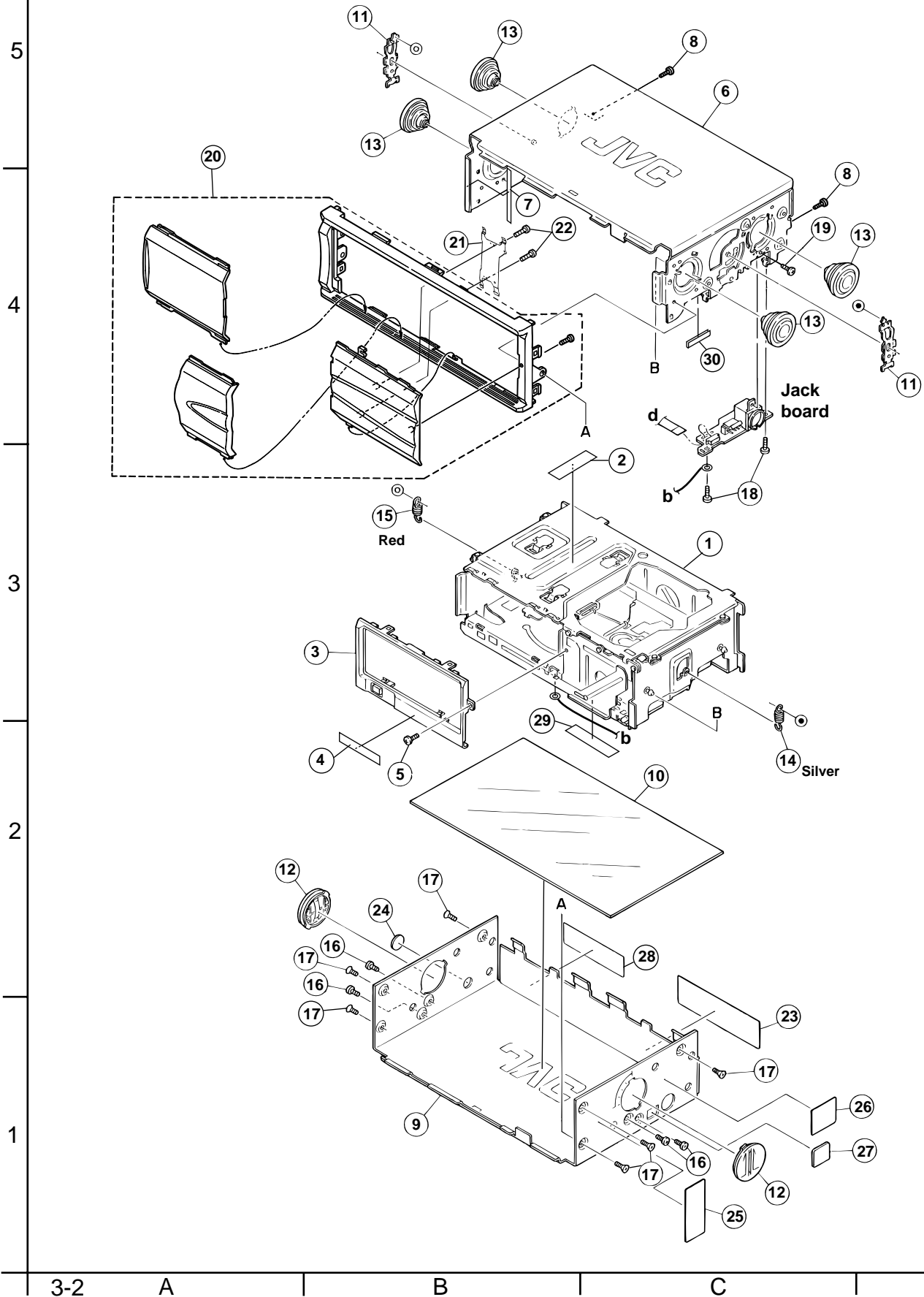
Areas suffix	
CH-X450	
U -----	Other Areas

- Contents -

Exploded view of general assembly and parts list	2- 2
CD changer mechanism assembly and parts list	2- 4
Electrical parts list	2- 7
Packing materials and accessories parts list	2- 9

Exploded view of general assembly and parts list

Block No. M 1 M M



Parts list (General assembly)

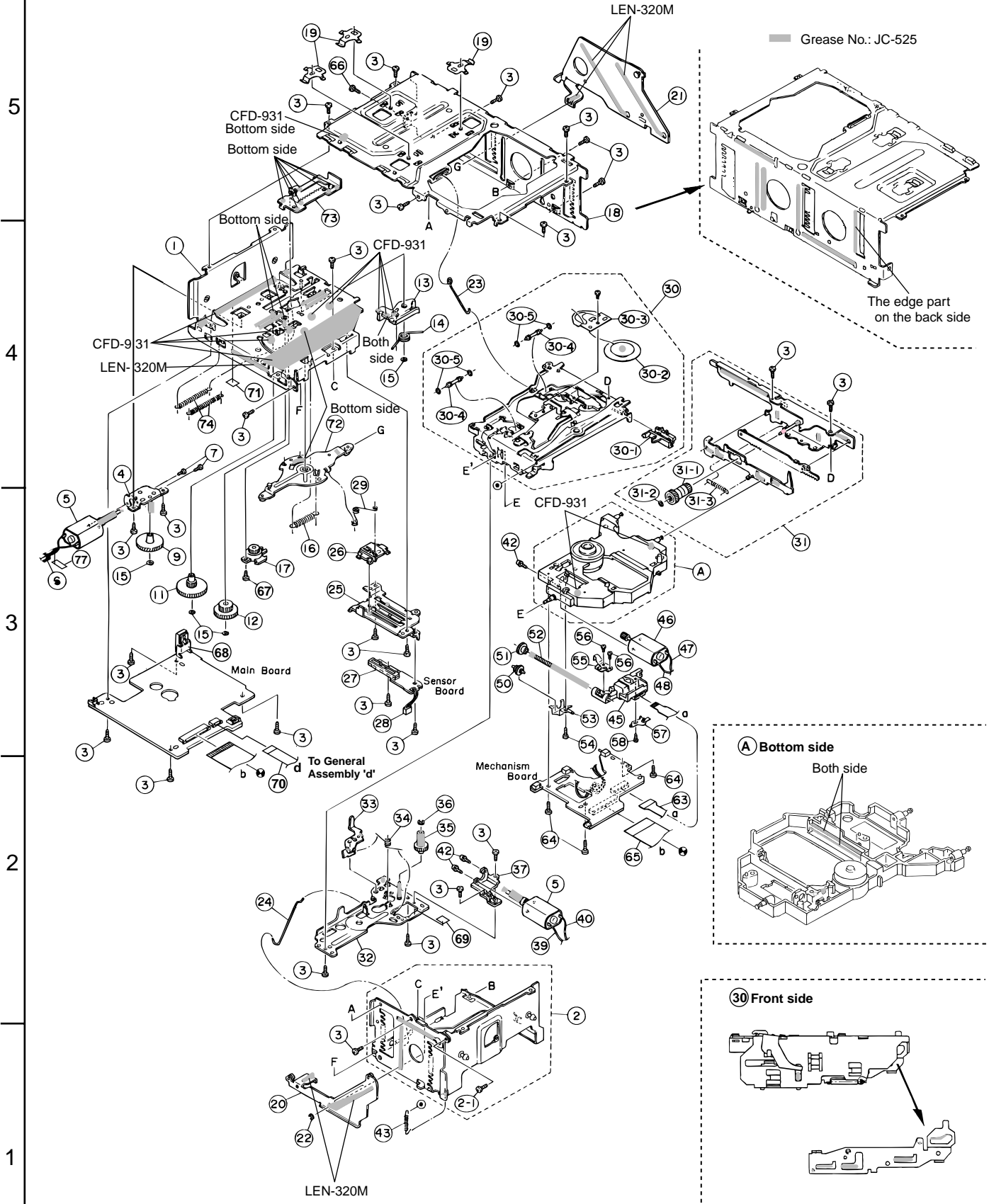
Block No. M1MM

▲	Item	Parts number	Parts name	Q'ty	Description	Area
	1	-----	CD CHANGER MECHA	1		
	2	LV41843-001A	LASER CAUTION	1	CH-X400E,X450U	
	3	LV20065-002B-SK	FITTING	1		
	4	LV40706-003A	CAUTION LABEL	1		
	5	QYSDST2004Z	SCREW	1		
	6	LV10407-004A	TOP COVER	1	CH-X450U	
		LV10407-006A	TOP COVER	1	CH-X400E/J	
	7	VYSH101-031	SPACER	1		
	8	QYSSST2005M	SCREW	2		
	9	LV10408-004A	BOTTOM COVER	1	CH-X450U	
		LV10408-006A	BOTTOM COVER	1	CH-X400E/J	
	10	LV30632-001A	INSULATOR	1		
	11	LV40530-001A	BRACKET	2		
	12	LV30360-004A-SL	DIRECTION KNOB	2		
	13	LV30451-002A	DAMPER	4		
	14	LV40345-003A	DAMPER SP(R)	1		
	15	LV40346-003A	DAMPER SP(L)	1		
	16	QYSDST2604M	SCREW	4	TOP+BOTTOM	
	17	QYSSST2605M	SCREW	6		
	18	QYSDST2005Z	SCREW	2	PWB+TOP	
	19	QYSDST2606Z	SCREW	1	8P+TOP	
	20	LV20923-004B	F.PANEL ASS'Y	1	CH-X400E	
		LV20923-001B	F.PANEL ASS'Y	1	CH-X400J	
		LV20923-002B	F.PANEL ASS'Y	1	CH-X450U	
	21	LV30786-003A-SL	HOLD BRACKET	1		
	22	QYSDSF2005Z	SCREW	2	DOOR-3+HOLD BKT	
	23	LV32473-002A	NAME PLATE	1	CH-X400E	
		LV32474-003A	NAME PLATE	1	CH-X400J	
		LV32475-003A	NAME PLATE	1	CH-X450U	
	24	VYSS2R2-028	SPACER	1		
	25	LV40762-001A	CAUTION LABEL	1		
	26	LV40487-003A	CAUTION LABEL	1		
	27	LV40528-005A	LABEL	1	CH-X400E/J	
		LV40528-006A	LABEL	1	CH-X450U	
	28	E70891-001	CLASS 1 LABEL	1		
	29	LV40847-001A	SPACER(H)	1		
	30	VYSA1R4-056	SPACER	1		

CD changer mechanism assembly and parts list

Block No. M 2 M M

Grease No.: JC-525



5
4
3
2
1

Parts list (CD changer mechanism)

Block No. M2MM

△	Item	Parts number	Parts name	Q'ty	Description	Area
	A	LV30928-201A	TRA MECHA UNIT	1		
	1	LV30096-002A	CHASSIS(L) ASSY	1		
	2	LV30097-001A	CHASSIS(R) ASSY	1		
	2-1	QYSDST2004Z	SCREW	1		
	3	QYSDST2004Z	SCREW	27		
	4	LV40129-003A	MOTOR BKT ASS'Y	1		
	5	PPN13KA10C-SA5	MOTOR ASS'Y	2		
	6	WJM0017-001A	E-SI C WIRE C-F	1		
	7	QYSPSPT2025M	MINI SCREW	2		
	9	LV40131-001A	WORM WHEEL(P)	1		
	11	LV40132-003A	THIRD GEAR	1		
	12	LV40133-005A	LIFTER GEAR	1		
	13	LV30100-002A	APLOCK ARM	1		
	14	LV40134-003A	M.LOCK SPRING	1		
	15	QYWDL163525-6	SLIT WASHER	4		
	16	LV40142-003A	LIFTER SPRING	1		
	17	LV40478-002A	EJECT DAMPER	1		
	18	LV10027-002A	TOP COVER	1		
	19	LV30101-004A	MAGAZINE SPRING	3		
	20	LV30448-001A	FRONT SLIDER AS	1		
	21	LV30449-001A	REAR SLIDER ASS	1		
	22	REE1500X	E.RING	1		
	23	LV40135-003A	ROD(U)	1		
	24	LV40136-002A	ROD(L)	1		
	25	LV30104-002A	SENSOR BRACKET	1		
	26	LV30105-001A	SENSOR HOLDER	1		
	27	QVY0002-B14	S V RESISTOR	1		
	28	WJM0017-002A	E-SI C WIRE C-F	1		
	29	LV40137-001A	SENSOR SPRING	1		
	30	LV20067-002A	LIFTER UNIT	1		
	30-1	LV30110-001A	HOOK	1		
	30-2	VKR3203-001	CLAMPER	1		
	30-3	VKL7938-001	CLAMPER GUIDE	1		
	30-4	VKS5587-002	DETECT ROLLER	2		
	30-5	VKZ4563-005	O RING	4		
	31	LV30148-004A	SIDE BKT UNIT	1		
	31-1	LV40148-003A	TRAY GEAR	1		
	31-2	QYWDL163525-6	SLIT WASHER	1		
	31-3	LV40190-002A	RETURN SP.(R)	1		
	32	LV40149-003A	L.BKT(L) ASSY	1		
	33	LV30119-002A	SWITCH LEVER	1		
	34	LV40151-002A	SWITCH SPRING	1		
	35	LV40152-001A	WORM WHEEL(T)	1		
	36	REE1500X	E.RING	1		
	37	LV30120-001A	T.MOTOR HOLDER	1		
	39	QUB540-10A2A2	WIRE(T.MOTOR)	1		
	40	QUB541-11A2A2	WIRE(T.MOTOR)	1		
	42	QYSPSPL2004Z	SCREW	3		

■ Parts list (CD changer mechanism)

Block No. M2MM

△	Item	Parts number	Parts name	Q'ty	Description	Area
	43	LV40474-002A	ELEVATOR SPRING	1		
	45	OPTIMA-720L1	C.D PICK (CAR)	1		
	46	FF050SK11170SA2	DC MOTOR	1		
	47	QUB456-04A2A2	WIRE(F.MOTOR)	1		
	48	QUB459-05A2A2	WIRE(F.MOTOR)	1		
	50	LV40155-001A	MIDDLE GEAR	1		
	51	LV40156-001A	S.S. GEAR	1		
	52	LV40157-001A	SCREW SHAFT	1		
	53	LV30122-001A	SHAFT HOLDER	1		
	54	VKZ4248-204	MINI TAP SCREW	1		
	55	LV30123-001A	RACK ARM	1		
	56	QYSPSPT1722M	MINI SCREW	2		
	57	LV30124-001A	P.S. SPRING	1		
	58	QYSPSPU1414M	SCREW	1		
	63	LV30450-003A	PICK FPC	1		
	64	QYSDST2006Z	SCREW	3		
	65	QUQ710-2614BJ	CARD WIRE	1		
	66	QYSDSP2606Z	SCREW	1		
	67	QYSDSR2006Z	SCREW	1		
	68	VKL7059-002SS	TR.BRACKET	1		
	69	VYSA1R4-088	SPACER	1		
	70	QUQ110-1013BJ	CARD WIRE	1		
	71	VYSH102-102	SPACER	1		
	72	LV40123-004A	LIFT ARM ASSY	1		
	73	LV30098-003A	EJECT SLIDER	1		
	74	LV40126-003A	EJECT SPRING	2		
	77	VYSA1R4-056	SPACER	1		

■ Electrical parts list (Main board)

Block No. 01

△	Item	Parts number	Parts name	Remarks	Area	△	Item	Parts number	Parts name	Remarks	Area
	C 101	QERF1CM-106Z	E CAPACITOR	10MF 20% 16V			C 605	QERF0JM-476Z	E CAPACITOR	47MF 20% 6.3V	
	C 102	NCB31HK-821X	C CAPACITOR				C 606	NCB31HK-103X	C CAPACITOR		
	C 103	NCS31HJ-121X	C CAPACITOR				C 609	QERF0JM-107Z	E CAPACITOR	100MF 20% 6.3V	
	C 104	QERF0JM-476Z	E CAPACITOR	47MF 20% 6.3V			C 610	NCB31CK-104X	C CAPACITOR		
	C 105	NBE21AM-106X	E CAPACITOR				C 611	NCB31CK-104X	C CAPACITOR		
	C 106	NCS31HJ-101X	C CAPACITOR				C 612	NCB31CK-104X	C CAPACITOR		
	C 111	NCS31HJ-101X	C CAPACITOR				C 651	NCB31HK-103X	C CAPACITOR		
	C 112	NCB31HK-103X	C CAPACITOR				C 901	QEZO338-228	E CAPACITOR	2200MF	
	C 201	QERF1CM-106Z	E CAPACITOR	10MF 20% 16V			C 902	NCB31HK-103X	C CAPACITOR		
	C 202	NCB31HK-821X	C CAPACITOR				C 906	NCS31HJ-101X	C CAPACITOR		
	C 203	NCS31HJ-121X	C CAPACITOR				C 907	NCS31HJ-101X	C CAPACITOR		
	C 204	QERF0JM-476Z	E CAPACITOR	47MF 20% 6.3V			C 912	QERF1CM-107Z	E CAPACITOR	100MF 20% 16V	
	C 205	NBE21AM-106X	E CAPACITOR				C 913	QERF1AM-107Z	E CAPACITOR	100MF 20% 10V	
	C 206	NCS31HJ-101X	C CAPACITOR				C 914	NCB31HK-103X	C CAPACITOR		
	C 501	QERF0JM-107Z	E CAPACITOR	100MF 20% 6.3V			C 915	NCB31HK-103X	C CAPACITOR		
	C 502	NCB31HK-103X	C CAPACITOR				C 941	QERF1AM-107Z	E CAPACITOR	100MF 20% 10V	
	C 503	QERF0JM-107Z	E CAPACITOR	100MF 20% 6.3V			C 942	NCB31HK-103X	C CAPACITOR		
	C 504	NCB31HK-103X	C CAPACITOR				C 943	QERF1CM-476Z	E CAPACITOR	47MF 20% 16V	
	C 505	NCB31HK-103X	C CAPACITOR				C 944	NCB31HK-103X	C CAPACITOR		
	C 506	QERF0JM-107Z	E CAPACITOR	100MF 20% 6.3V			C 945	NCB31HK-103X	C CAPACITOR		
	C 507	NCB31HK-103X	C CAPACITOR				C 946	QERF1CM-106Z	E CAPACITOR	10MF 20% 16V	
	C 508	NCB31CK-104X	C CAPACITOR				C 951	NCB31HK-103X	C CAPACITOR		
	C 509	NCB31CK-104X	C CAPACITOR				C 982	NCB31HK-103X	C CAPACITOR		
	C 510	NDC31HJ-680X	C CAPACITOR				C 983	QERF1CM-476Z	E CAPACITOR	47MF 20% 16V	
	C 512	QERF0JM-107Z	E CAPACITOR	100MF 20% 6.3V			CN501	QGF1014F1-15	FPC CONNECTOR		
	C 513	NCB31HK-103X	C CAPACITOR				CN502	QGF1029F1-26	CONNECTOR		
	C 514	NCS31HJ-101X	C CAPACITOR				CN503	QGF1009F2-26	FFC/FPC CONECTOR		
	C 522	NCB31HK-103X	C CAPACITOR				CN504	QGA2501F1-02	CONNECTOR		
	C 523	NBE21CM-105X	C CAPACITOR				CN601	QGA2501F1-03	CONNECTOR		
	C 524	QERF0JM-107Z	E CAPACITOR	100MF 20% 6.3V			CN902	QNZ0095-001	CONNECTOR		
	C 525	NCB31HK-103X	C CAPACITOR				CN903	QGF1004F4-10	CONNECTOR		
	C 526	QERF0JM-107Z	E CAPACITOR	100MF 20% 6.3V			CN904	QGF1009F2-10	CONNECTOR		
	C 533	NCS31HJ-470X	C CAPACITOR				D 101	HSM2836C-W	DIODE		
	C 534	NCB31HK-153X	C CAPACITOR				D 583	DSK10C-T1	DIODE		
	C 536	NCB31HK-103X	C CAPACITOR				D 584	DSK10C-T1	DIODE		
	C 537	NCB31HK-272X	C CAPACITOR				D 585	DSK10C-T1	DIODE		
	C 538	NCB31HK-103X	C CAPACITOR				D 911	DSK10C-T1	DIODE		
	C 539	NCB31EK-333X	C CAPACITOR				D 912	MA3062/H/-X	ZENER DIODE		
	C 542	NCB31HK-182X	C CAPACITOR				D 913	HSM2836C-W	DIODE		
	C 543	NCS31HJ-271X	C CAPACITOR				D 921	HSM2838C-W	DIODE		
	C 544	QERF0JM-476Z	E CAPACITOR	47MF 20% 6.3V			D 941	MA3100/L/-X	ZENER DIODE		
	C 545	NCB31EK-473X	C CAPACITOR				D 951	MA3051/M/-X	ZENER DIODE		
	C 546	NCB31EK-473X	C CAPACITOR				D 981	MA3091/M/-X	ZENER DIODE		
	C 547	NCB31EK-473X	C CAPACITOR				F 901	ICP-N70	IC PROTECTER		
	C 549	NCB31EK-473X	C CAPACITOR				IC101	BA15218F-XE	IC		
	C 551	QERF0JM-476Z	E CAPACITOR	47MF 20% 6.3V			IC501	TA2109F-X	IC		
	C 552	NCB31HK-103X	C CAPACITOR				IC521	TC9462F	IC		
	C 553	NCB31HK-103X	C CAPACITOR				IC581	BA5926S	IC		
	C 554	QERF0JM-107Z	E CAPACITOR	100MF 20% 6.3V			IC601	UPD780058GC-067	IC		
	C 555	NCB31HK-103X	C CAPACITOR				IC602	IC-PST600M/G/-W	IC		
	C 556	NDC31HG-100X	C CAPACITOR				IC604	BR24C01AF-X	IC		
	C 557	NDC31HG-100X	C CAPACITOR				IC651	HD74HC126FP-X	IC		
	C 558	NCS31HJ-101X	C CAPACITOR				L 521	QQL231K-4R7Y	INDUCTOR		
	C 571	QERF0JM-107Z	E CAPACITOR	100MF 20% 6.3V			L 551	QQL231K-4R7Y	INDUCTOR		
	C 573	QERF0JM-107Z	E CAPACITOR	100MF 20% 6.3V			L 601	QQL231K-4R7Y	INDUCTOR		
	C 574	NCB31HK-103X	C CAPACITOR				Q 101	2SD1048/6-7/-X	TRANSISTOR		
	C 581	QERF1AM-227Z	E CAPACITOR	220MF 20% 10V			Q 201	2SD1048/6-7/-X	TRANSISTOR		
	C 582	NCB31HK-103X	C CAPACITOR				Q 501	2SB1322/RS/-T	TRANSISTOR		
	C 583	QERF1CM-226Z	E CAPACITOR	22MF 20% 16V			Q 581	2SB1322/RS/-T	TRANSISTOR		
	C 601	QERF0JM-107Z	E CAPACITOR	100MF 20% 6.3V			Q 602	2SC2412K/R/-X	TRANSISTOR		
	C 602	NCB31HK-103X	C CAPACITOR				Q 901	2SA1037AK/R/-X	TRANSISTOR		
	C 603	NCS31HJ-220X	C CAPACITOR				Q 902	DTC114EKA-X	TRANSISTOR		
	C 604	NCS31HJ-220X	C CAPACITOR				Q 911	2SD1994A/RS/-T	TRANSISTOR		

■ Electrical parts list (Main board)

Block No. 01

△	Item	Parts number	Parts name	Remarks	Area
	Q 921	2SC2412K/R/-X	TRANSISTOR		
	Q 922	2SA1037AK/R/-X	TRANSISTOR		
	Q 941	2SB941A/QP/	TRANSISTOR		
	Q 942	2SD1994A/RS/-T	TRANSISTOR		
	Q 943	DTA114EKA-X	TRANSISTOR		
	Q 944	DTC114EKA-X	TRANSISTOR		
	Q 971	2SA1037AK/R/-X	TRANSISTOR		
	Q 972	2SC2412K/R/-X	TRANSISTOR		
	Q 981	2SD1994A/RS/-T	TRANSISTOR		
	R 101	NRSA63J-273X	MG RESISTOR		
	R 102	NRSA63J-123X	MG RESISTOR		
	R 103	NRSA63J-333X	MG RESISTOR		
	R 104	NRSA63J-223X	MG RESISTOR		
	R 105	NRSA63J-223X	MG RESISTOR		
	R 106	NRSA63J-103X	MG RESISTOR		
	R 107	NRSA63J-471X	MG RESISTOR		
	R 108	NRSA63J-682X	MG RESISTOR		
	R 112	NRSA63J-470X	MG RESISTOR		
	R 201	NRS181J-273X	MG RESISTOR		
	R 202	NRSA63J-123X	MG RESISTOR		
	R 203	NRSA63J-333X	MG RESISTOR		
	R 204	NRSA63J-223X	MG RESISTOR		
	R 205	NRSA63J-223X	MG RESISTOR		
	R 206	NRSA63J-103X	MG RESISTOR		
	R 207	NRSA63J-471X	MG RESISTOR		
	R 208	NRSA63J-682X	MG RESISTOR		
	R 501	NRSA63J-473X	MG RESISTOR		
	R 502	NRSA63J-473X	MG RESISTOR		
	R 503	NRS181J-104X	MG RESISTOR		
	R 504	NRSA63J-473X	MG RESISTOR		
	R 505	NRSA63J-473X	MG RESISTOR		
	R 506	NRSA63J-104X	MG RESISTOR		
	R 507	NRSA63J-220X	MG RESISTOR		
	R 508	NRSA63J-220X	MG RESISTOR		
	R 509	NRSA63J-273X	MG RESISTOR		
	R 510	NRSA63J-393X	MG RESISTOR		
	R 511	NRSA63J-222X	MG RESISTOR		
	R 512	NRSA63J-153X	MG RESISTOR		
	R 513	NRSA63J-682X	MG RESISTOR		
	R 514	NRSA63J-473X	MG RESISTOR		
	R 521	NRSA63J-472X	MG RESISTOR		
	R 522	NRSA63J-472X	MG RESISTOR		
	R 523	NRSA63J-472X	MG RESISTOR		
	R 524	NRSA63J-472X	MG RESISTOR		
	R 525	NRSA63J-103X	MG RESISTOR		
	R 531	NRSA63J-103X	MG RESISTOR		
	R 532	NRSA63J-473X	MG RESISTOR		
	R 533	NRSA63J-683X	MG RESISTOR		
	R 534	NRSA63J-474X	MG RESISTOR		
	R 536	NRSA63J-333X	MG RESISTOR		
	R 537	NRSA63J-103X	MG RESISTOR		
	R 541	NRSA63J-122X	MG RESISTOR		
	R 542	NRSA63J-103X	MG RESISTOR		
	R 543	NRSA63J-332X	MG RESISTOR		
	R 544	NRSA63J-332X	MG RESISTOR		
	R 545	NRSA63J-332X	MG RESISTOR		
	R 547	NRSA63J-332X	MG RESISTOR		
	R 571	NRSA63J-101X	MG RESISTOR		
	R 581	NRS181J-332X	MG RESISTOR		
	R 582	NRSA63J-123X	MG RESISTOR		
	R 583	NRSA63J-102X	MG RESISTOR		
	R 584	NRS181J-102X	MG RESISTOR		
	R 601	NRSA63J-472X	MG RESISTOR		

△	Item	Parts number	Parts name	Remarks	Area
	R 602	NRS181J-103X	MG RESISTOR		
	R 603	NRSA63J-472X	MG RESISTOR		
	R 604	NRSA63J-472X	MG RESISTOR		
	R 605	NRSA63J-472X	MG RESISTOR		
	R 606	NRSA63J-103X	MG RESISTOR		
	R 607	NRSA63J-103X	MG RESISTOR		
	R 609	NRSA63J-473X	MG RESISTOR		
	R 610	NRSA63J-473X	MG RESISTOR		
	R 611	NRSA63J-473X	MG RESISTOR		
	R 612	NRSA63J-473X	MG RESISTOR		
	R 614	NRSA63J-473X	MG RESISTOR		
	R 617	NRSA63J-473X	MG RESISTOR		
	R 618	NRSA63J-102X	MG RESISTOR		
	R 619	NRSA63J-103X	MG RESISTOR		
	R 620	NRSA63J-104X	MG RESISTOR		
	R 621	NRSA63J-473X	MG RESISTOR		
	R 622	NRSA63J-103X	MG RESISTOR		
	R 625	NRSA63J-472X	MG RESISTOR		
	R 626	NRSA63J-473X	MG RESISTOR		
	R 651	NRSA63J-223X	MG RESISTOR		
	R 652	NRSA63J-101X	MG RESISTOR		
	R 653	NRSA63J-223X	MG RESISTOR		
	R 654	NRSA63J-334X	MG RESISTOR		
	R 655	NRSA63J-101X	MG RESISTOR		
	R 656	NRSA63J-223X	MG RESISTOR		
	R 657	NRSA63J-334X	MG RESISTOR		
	R 658	NRSA63J-331X	MG RESISTOR		
	R 659	NRSA63J-104X	MG RESISTOR		
	R 660	NRSA63J-103X	MG RESISTOR		
	R 661	NRSA63J-104X	MG RESISTOR		
	R 901	NRSA63J-103X	MG RESISTOR		
	R 902	NRSA63J-392X	MG RESISTOR		
	R 903	NRSA02J-222X	MG RESISTOR		
	R 911	QRE141J-472Y	C RESISTOR	4.7K 5% 1/4W	
	R 912	QRE141J-2R2Y	C RESISTOR	2.2 5% 1/4W	
	R 921	NRSA63J-273X	MG RESISTOR		
	R 923	NRSA63J-184X	MG RESISTOR		
	R 924	NRSA63J-682X	MG RESISTOR		
	R 925	QRE141J-223Y	C RESISTOR	22K 5% 1/4W	
	R 926	NRSA63J-223X	MG RESISTOR		
	R 941	NRS181J-100X	MG RESISTOR		
	R 942	NRSA63J-471X	MG RESISTOR		
	R 943	NRSA63J-332X	MG RESISTOR		
	R 951	NRSA63J-122X	MG RESISTOR		
	R 954	NRSA63J-272X	MG RESISTOR		
	R 971	NRSA63J-223X	MG RESISTOR		
	R 972	NRSA63J-222X	MG RESISTOR		
	R 973	NRSA63J-104X	MG RESISTOR		
	R 981	NRSA63J-221X	MG RESISTOR		
	R 982	NRSA63J-221X	MG RESISTOR		
	S 601	VSH1173-001	SWITCH		
	S 602	VSH1173-001	SWITCH		
	S 603	VSH1173-001	SWITCH		
	S 604	VSH1173-001	SWITCH		
	S 606	QSW0643-001Z	TACT SWITCH		
	X 521	QAX0413-001Z	CRYSTAL		
	X 601	QAX0414-001Z	CRYSTAL		

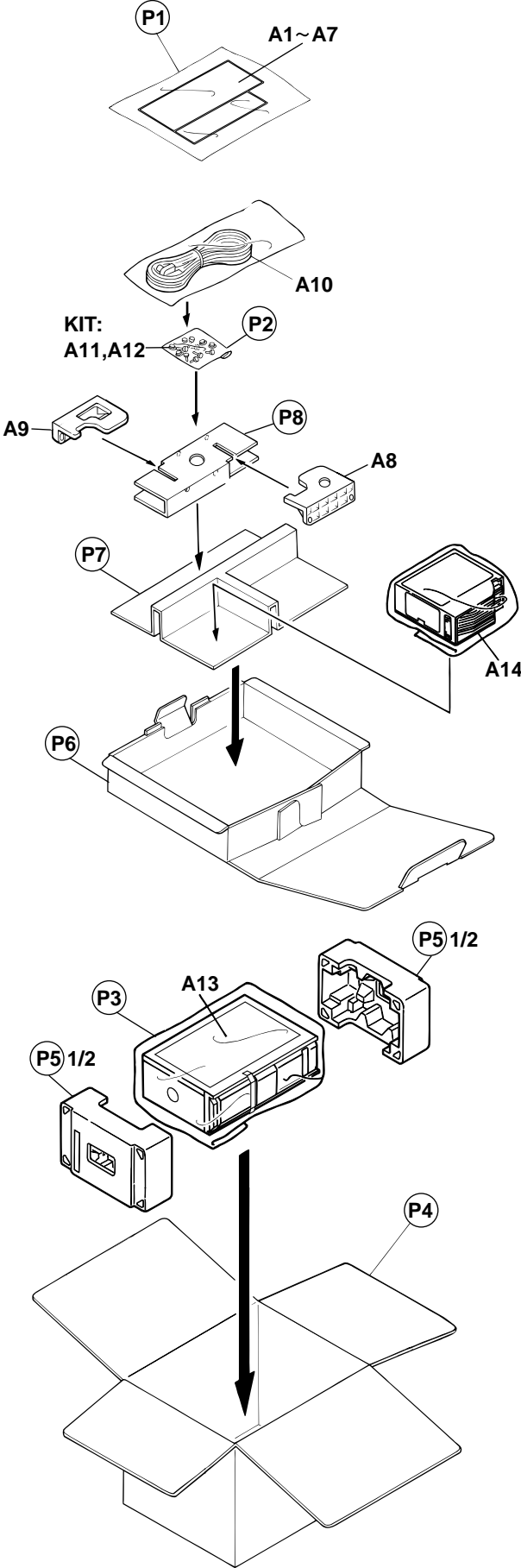
Packing materials and accessories parts list

Block No.

M	3	M	M
---	---	---	---

Block No.

M	4	M	M
---	---	---	---



■ Parts list (Packing)

Block No. M3MM

△	Item	Parts number	Parts name	Q'ty	Description	Area
	P 1	QPA01703505P	POLY BAG	1	INSTRUCTIONS	
	P 2	QPA00801205	POLY BAG	1	SCREW KIT	
	P 3	QPC03005120P	POLY BAG	1	SET	
	P 4	LV32482-001A	CARTON	1	CH-X450U	
		LV32480-001A	CARTON	1	CH-X400E/J	
	P 5	LV10504-001A	CUSHION	1		
	P 6	LV30453-003A	ACCESSARY BOX	1		
	P 7	LV30575-002A	SEPALATOR	1		
	P 8	LV30576-002A	SPACER	1	FOR MAGAZINE	

■ Parts list (Accessories)

Block No. M4MM

△	Item	Parts number	Parts name	Q'ty	Description	Area
	A 1	LVT0580-002A	INSTRUCTIONS	1	ENG,GER,FRE	CH-X400E
		LVT0580-003A	INSTRUCTIONS	1	DUT,SPA,ITA	CH-X400E
		LVT0580-004A	INSTRUCTIONS	1	SWE,FIN	CH-X400E
		LVT0580-001A	INSTRUCTIONS	1	ENG,SPA,FRE	CH-X400J
		LVT0580-005A	INSTRUCTIONS	1	ENG,CHI,ARA	CH-X450U
		LVT0580-006A	INSTRUCTIONS	1	ENG,CHI,ARA	CH-X450U
	A 2	BT-54013-1	WARRANTY CARD	1	CH-X400E	
		BT-51018-2	WARRANTY CARD	1	CH-X400J	
	A 3	BT-51020-2	J=REGIST CARD	1	CH-X400J	
	A 4	BT-52004-1	WARRANTY CARD	1	CH-X400J	
	A 5	BT-20071B	SVC CENTER LIST	1	CH-X400J	
	A 6	LV41155-001A	INFO.SHEET	1	CH-X400J	
	A 7	LVT0327-001B	TROUBLE SHOOTIN	1	CH-X400J	
	A 8	LV20738-002A-SK	MOUNT HOLDER	1		
	A 9	LV20737-002A-SK	MOUNT HOLDER(R)	1		
	A 10	QAM0080-001	8P BUS-BUS CORD	1		
	A 11	QYSDSP4008Z	SCREW	4		
	A 12	VKZ4029-003	SCREW	4	M5X20	
	A 13	LV40507-001A	INST SHEET	1		
	A 14	LV30682-205A-CL	MAGAZINE ASS'Y	1		
	KIT	CHX99J-SCREW1	SCREW PARTS KIT	1	A11,A12	